

Part number

CKAT 03.4 VA



Brief description:

hoods for single lever, size "21.21", side entry, 1/2" NPT, metal version, IP44, IP66/IP67 degree of protection with CKR 65 kit or CKR 65 D kit.

Product description

| | |
|---------------------|----------------------|
| Version | Metallic type |
| Series | Hoods with 2 pegs |
| Product type | with 2 pegs |
| Variant | side entry |
| Family | CKA metal enclosures |
| Size | size "21.21" |


Technical data

| | |
|---|--|
| Operating temperature range (min, max) | -40°C ... +125°C |
| Material | metal |
| IP degree of protection | IP44 (IP66/IP67 with CKR 65/CKR 65 D kits) |
| Cable entry | 1/2" NPT |

Further technical details

| | |
|---------------|---------|
| Weight | 26,00 g |
|---------------|---------|

Approvals / Standards

| | |
|---------------------|--|
| Quality mark | UL type: 12, (type 4/4X only with kit CKR 65 or CKR 65 D),  , EAC |
| Conformity | CQC, CE |

General ordering information

| | |
|----------------------|---------------|
| EAN13 code | 8015747027397 |
| Tariff number | 85369095 |

Packaging Information

| | |
|----------------------------------|-----------------------|
| Packaging length | 330,00 mm |
| Packaging height | 170,00 mm |
| Packaging width | 230,00 mm |
| Packaging weight | 2,60 kg |
| Packaging volume | 12,90 dm ³ |
| Packaging description | Carton box |
| Packaging quantity | 100 Pcs |
| Packaging EAN code | 8015747234306 |
| Sub-packaging length | 105,00 mm |
| Sub-packaging height | 70,00 mm |
| Sub-packaging width | 110,00 mm |
| Sub-packaging weight | 0,26 kg |
| Sub-packaging volume | 0,81 dm ³ |
| Sub-packaging description | Carton Box |
| Sub-packaging quantity | 10 Pcs |
| Sub-packaging EAN barcode | 8015747027403 |

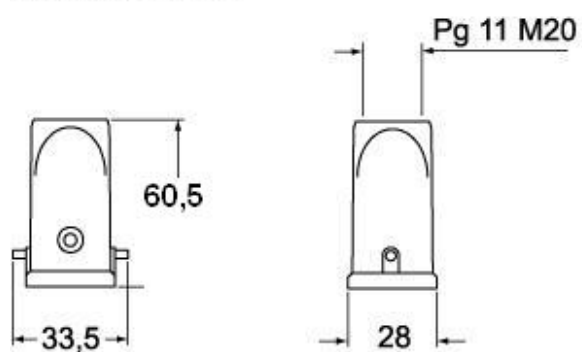
Part number

CKAT 03.4 VA

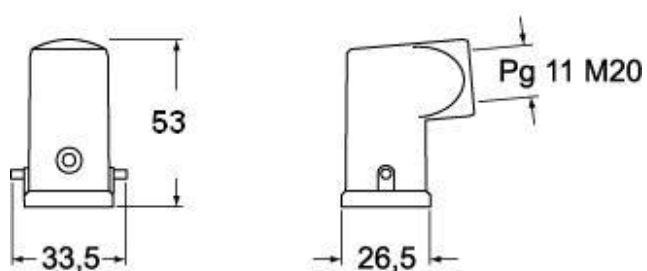


Catalogue drawings

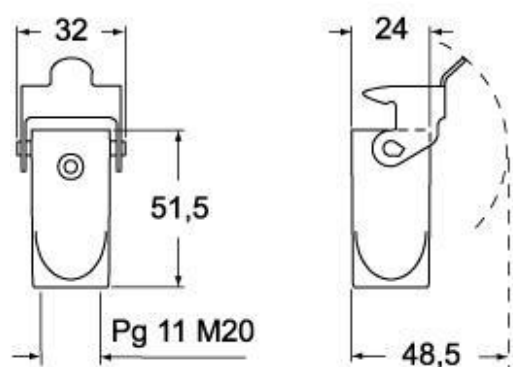
CKA VS - MKA V



CKA VAS - MKA VA



CKA VAS - MKA VA



CKAX VGS - MKAX VG

